



Creating balance in healthcare



Reflex Shower-toilet chair



5100 5600

Reflex Shower-toilet chair



5100 5600

Reflex Shower-toilet chair

The height-adjustable, electric shower-toilet chair Reflex is a medical device for caring for and washing clients in an ergonomically responsible manner. Comfort is the primary consideration for both the client and the carer. The Reflex can also be used as a toilet chair, in combination with a bedpan / bucket.

The Reflex comprises a base frame and chair component. The chair component provides the same comfort as a regular chair and offers the same degree of support. The chair component can be electrically, gradually adjusted in height, in relation to the base frame. The Reflex is thus a multifunctional device. The chair component of the Reflex can be tilted backwards to 30 degrees. These functions are essential performances of the chair.

- Maximum load 135 kg / 300 lbs.
- Electric high / low adjustment.
- Tilt setting from 0 tot 30 graden.
- Easy-to-use touch controls on backrest.
- Height and depth-adjustable head / neck support.
- Ergonomically formed seat and backrest.
- Detachable, foldable and height-adjustable footrests with calf protection.
- Foldable upholstered armrests with front locking.
- Can be moved into position over toilet.
- Rail for toilet bucket or bedpan.
- 4 plastic castors, fitted with brakes.

Options

- Product no. 6830 5650 Straight armrests.
- Product no. 6840 5661 Dual locking armrests.
- Product no. 6840 5678 Back cover with hand control.
- Product no. 6950 1104 Plastic bedpan and lid.
- Product no. 6950 1120 Safety belt.
- Product no. 6950 5624 Platilon backrest.
- Product no. 6950 5625 Platilon seat.
- Product no. 6975 8045 Four point safety belt.
- Product no. 7556 0025 Directional wheel left front.





Suitable for people with a moderate to very severe disability



Detachable and height-adjustable footrests and calf protection.



Detachable and foldable footrests.



Easy-to-use touch controls on backrest (with pictograms).



Height and depth-adjustable head / neck support.



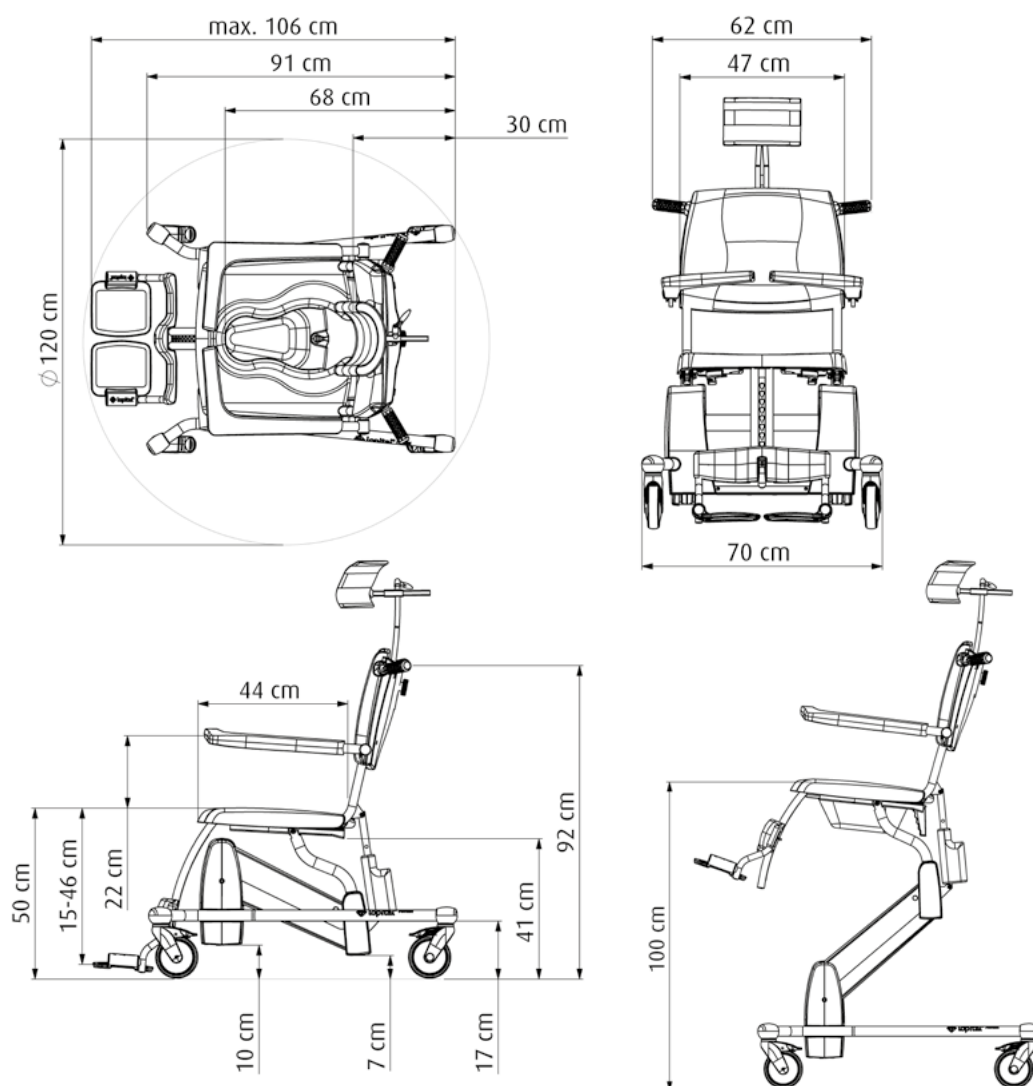
Option: Art.nr. 6950 5624 and 6950 5625 Platilon back and seat.



Reflex from lowest position to highest position with 30 degree tilt adjustment.

Technical specifications

- | | | | |
|------------------------------|---|-----------------------------|---|
| • Max. load | 135 kg / 300 lbs | • Head / neck support | |
| • Product weight | 53 kg / 116.8 lbs | depth / height | 7 - 12 cm / 2.8 - 4.7 inch |
| • Seat width | 47 cm / 18.5 inch | • Turning radius | 120 cm / 47.2 inch |
| • Seat depth | 44 cm / 17.3 inch | • Tilt setting | 0 tot 30 degrees |
| • Seat height (adjustable) | 50 to 100 cm /
19.7 to 41.3 inch | • Electrical power | 24V |
| • Height backrest | 92 cm / 36.2 inch | • Battery capacity | 7Ah |
| • Total length base frame | 106 cm / 41.7 inch | • Number of lifting actions | 40 up-down movements
with fully charged
batteries |
| • Total width base frame | 70 cm / 27.6 inch | • Charger | 220V/50/60Hz |
| • Adjustability of footrests | Every 2,5 cm / 1.0 inch,
25 cm / 9.8 inch in total | • Waterproofness | IPX4 |



For more information, visit our website: www.lopital.com

Lopital Nederland B.V., Laarakkerweg 9, 5061 JR Oisterwijk, Postbus 56, 5060 AB Oisterwijk
 Tel +31 (0)13 5239300, Fax +31 (0)13 5239301, E-mail info@lopital.nl, www.lopital.nl

